

KLUG



KLUG

Kleiber Interiors Pvt. Ltd.
No 367 & 368, Amarjyoti Layout, Inner Ring Road,
Bangalore - 560 071, India.

Bristol Furniture (S) Pte. Ltd.
466, River Valley Road, Singapore 248351.

Bristol Furniture (Thailand) Ltd.
598 Q.House Ploenjit Building,
18th Floor Unit 18A, 19A, Ploenchit Road,
Lumpini, Pathumwan,
Bangkok, Thailand 10330.

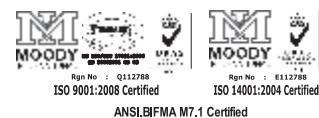
PT. Bristol Furniture Indonesia
Gedung Atrium Mulia, Suite 206,
Jl. H.R. Rasuna Said Kav. B10-11,
Setiabudi Jakarta -12950 Indonesia

Bristol-Norma Sdn Bhd
No.1-1-18, Lebu Bukit Kecil 6,
Krystal Point Corporate Park,
11900 Bayan Lepas, Penang, Malaysia.

Bristol Technologies Sdn Bhd
Lot 5178 Balakong Jaya Light Industri
43300 Seri Kembangan, Selangor, Malaysia.
Tel: +603 8962 2182
Fax: +603 8962 6322
Email : export@bristol.com.my
Web: www.bristol.com.my
www.facebook.com/bristolfurniture



All pictures are for illustration purposes. Colours, product dimension, specification as well as designs are subject to change without prior notice. Colours shown here may differ from the actual product.



Klug.

When the working environment becomes more complex, the need for simplicity increases. Simplicity of design and simplicity of handling are key aspects of a users' behavior.

The principle of Klug is both simple and clever: creating something that is both functional and beautiful yet it is

Weisst du was klug ist? Bist du klug genug?
You know what's clever? Are you clever enough?

Design Team:
Albott Design Studio

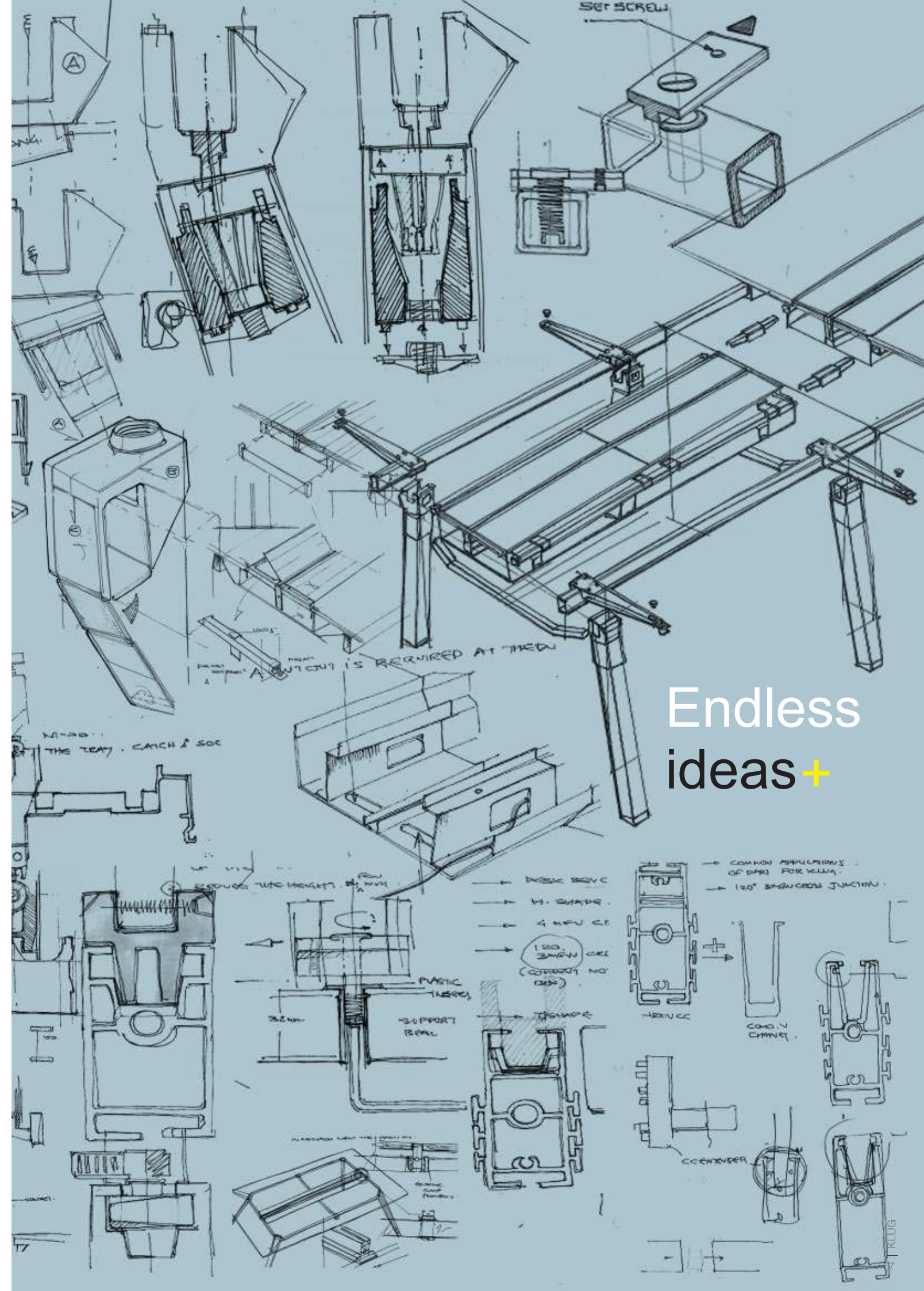


Ysyong



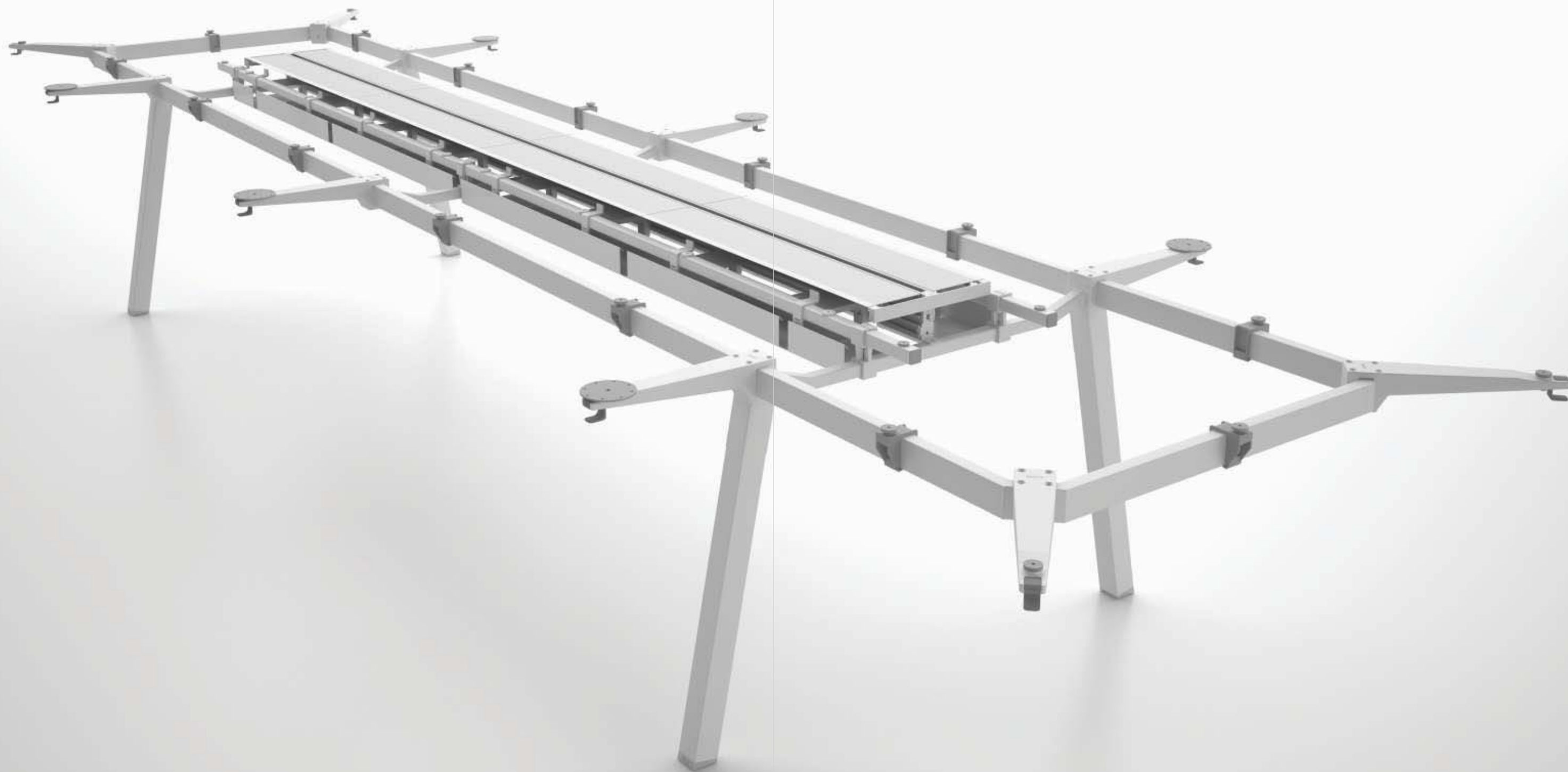
Aditya Vernekar

"I believe creative thinking has the power to connect the seemingly unconnected. In my context, design is intelligence & diligence made visible."



Endless
ideas+

Klug.
Base structure.



Klug. Continuity and change.

The faster the working world changes, the more important clear objectives and organization's requirements need to be reevaluated. Klug is designed in a way where the structure can be reconfigured at any point of time.

The combination of high quality with maximum flexibility makes Klug a highly future-proof workstation. By adding additional structural elements, it can be easily extended from a 2-men workstation into a 6-men with the same set of four legs.

Regardless of the configuration, Klug tables always convey an appearance of continuity and sustainability.



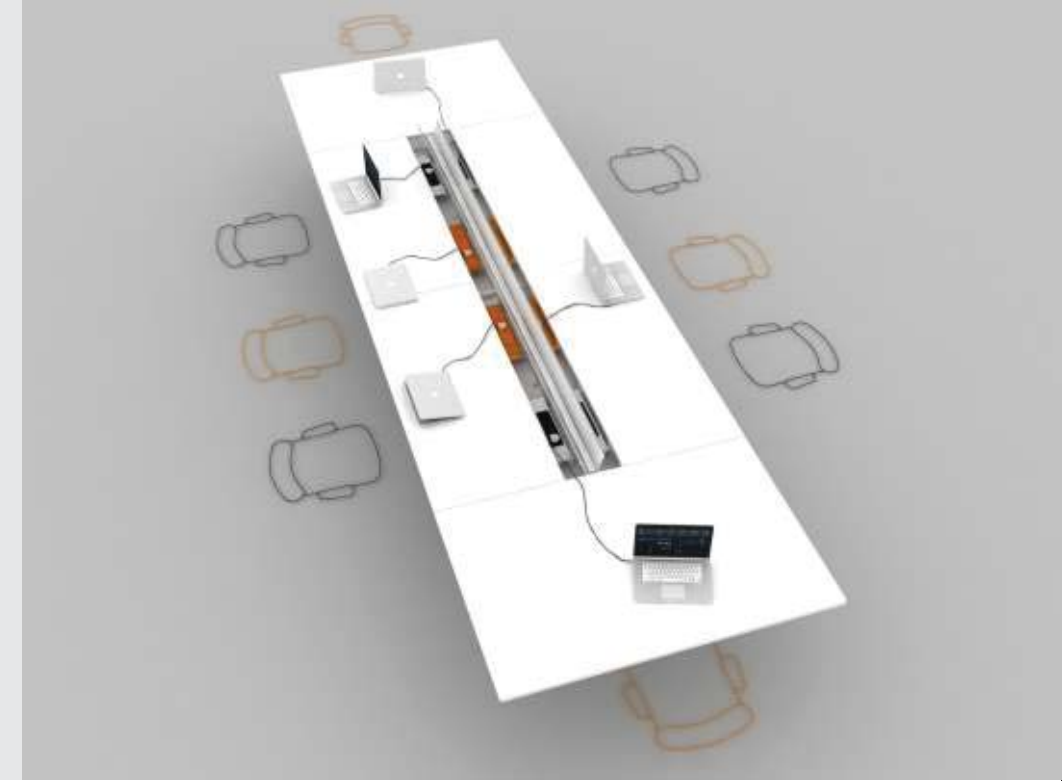
2 to 4 pax

4 to 6 pax





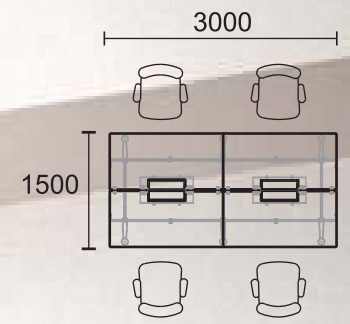
The structure and cable spine is designed to provide a flexible wire management solution. A typical cluster of four can be transformed into a larger workstation by simply adding the required power modules.

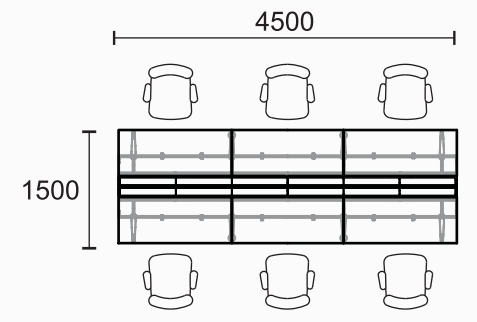


Klug. Connecting you.

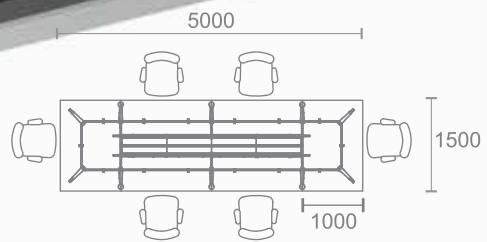
This system offer a flexible wire management solution, ranging for from full span wire trunking across the workstation to segmented type trunking box. The power and data can be easily accessed throughout the span of the wire trunking by just opening the trunking flap.

4 men linear

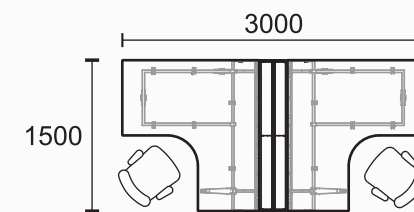




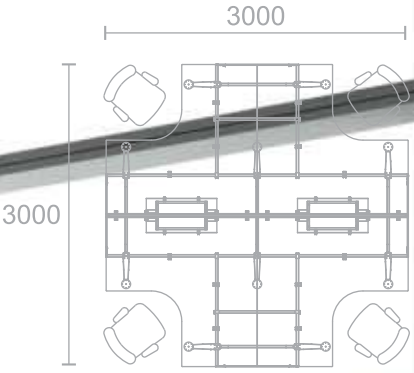
6 men extend



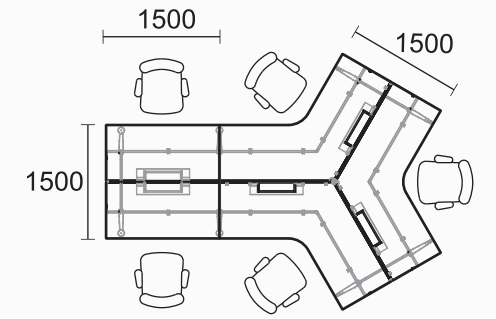
T-shape



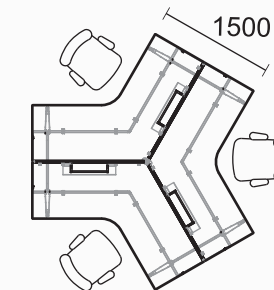
4 men CROSS



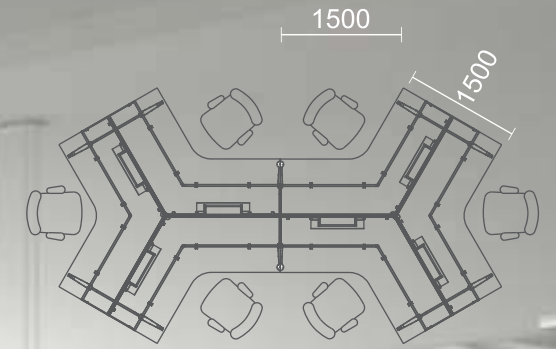
2+3 men



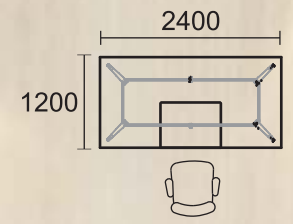
3 men 120°



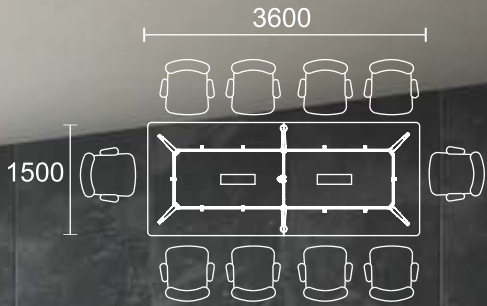
3+3 men 120°



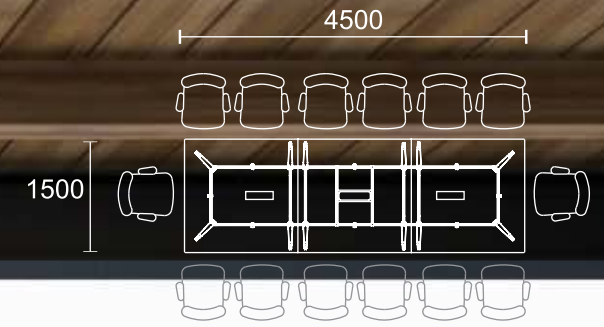
executive table



conference
veneer or HPL



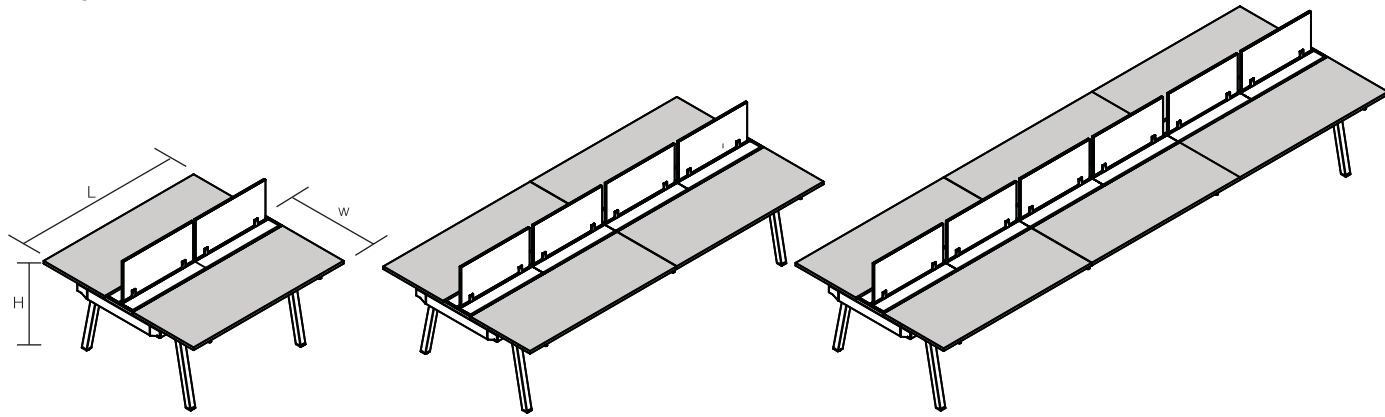
conference
glass



Statement of line

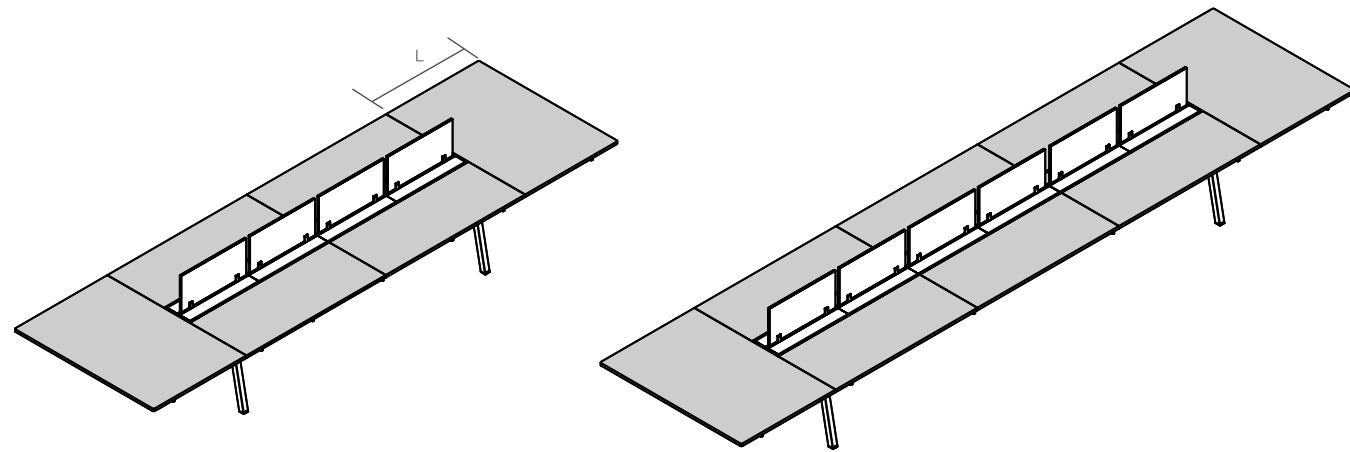
Linear (2 men, 4 men & 6 men)

L(length per worktop): 1000mm, 1200mm, 1400mm, 1500mm, 1600mm, 1800mm, 2000mm, 2100mm, 2400mm
 W: 600mm, 700mm, 750mm, 800mm
 H: 740mm



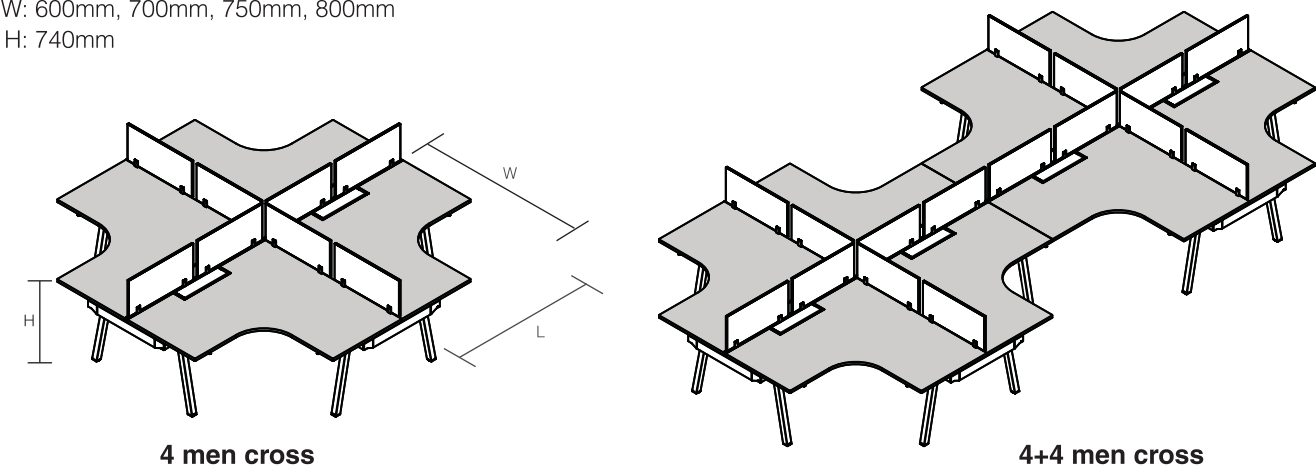
Linear (2 men, 4 men & 6 men) with meeting ends

L(length per meeting end): 600mm - 1000mm



L-shape workstation

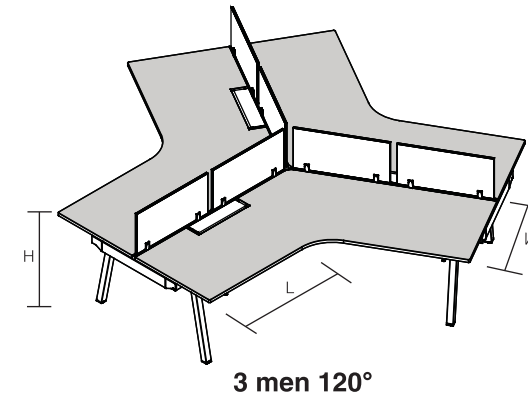
L(length per worktop): 1000mm, 1200mm, 1400mm, 1500mm, 1600mm, 1800mm, 2000mm, 2100mm, 2400mm
 W: 600mm, 700mm, 750mm, 800mm
 H: 740mm



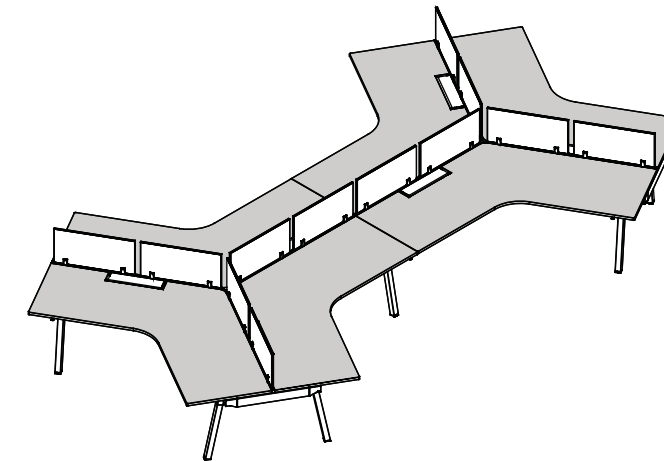
Statement of line

120° workstation

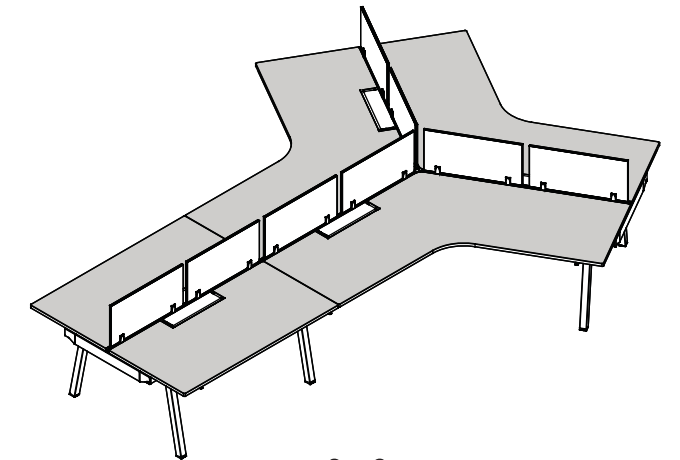
L(length per worktop): 1000mm, 1200mm, 1400mm, 1500mm, 1600mm, 1800mm, 2000mm, 2100mm, 2400mm
 W: 600mm, 700mm, 750mm, 800mm
 H: 740mm



3 men 120°



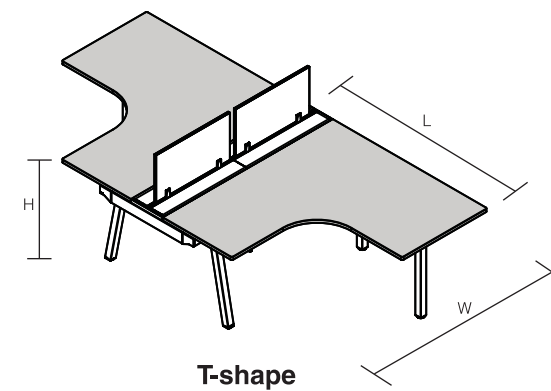
3 + 3 men 120°



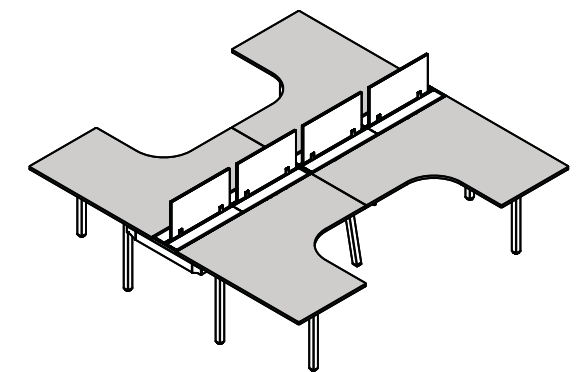
2 + 3 men

T-shape & H-shape workstation

L(length per worktop): 1000mm, 1200mm, 1400mm, 1500mm, 1600mm, 1800mm, 2000mm, 2100mm, 2400mm
 W: 600mm, 700mm, 750mm, 800mm
 H: 740mm



T-shape



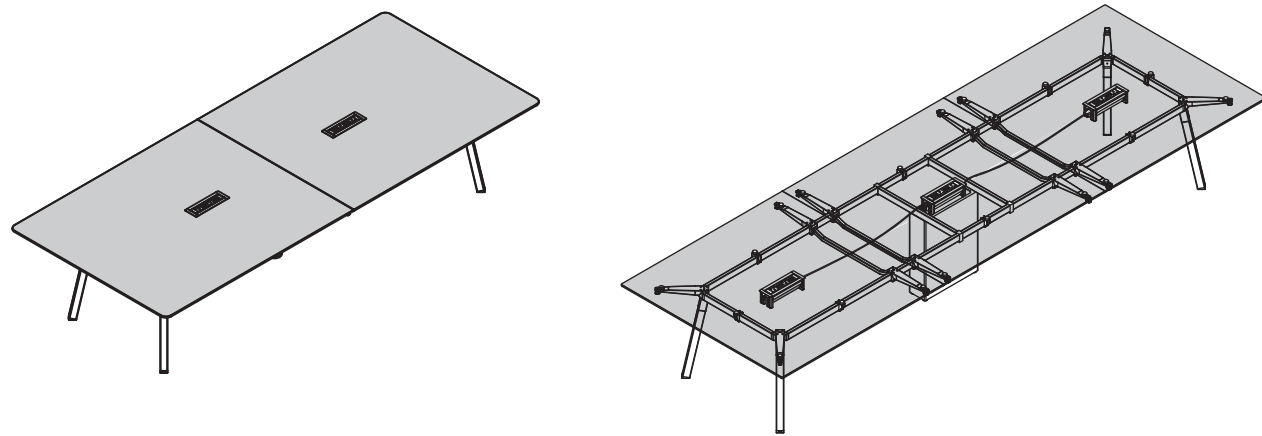
H-shape

KLUG

Statement of line

Conference table

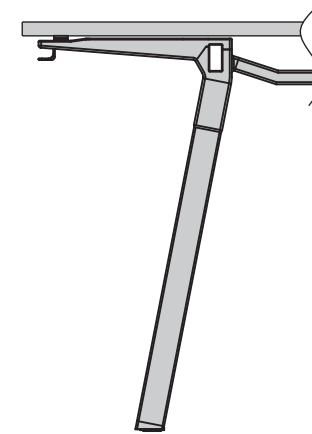
Worktop available in MFC, HPL, Veneer and Glass
Size: Variable Size



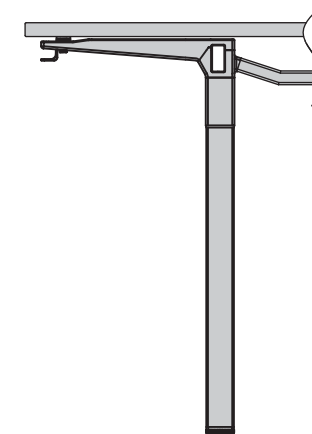
KLUG

Statement of line

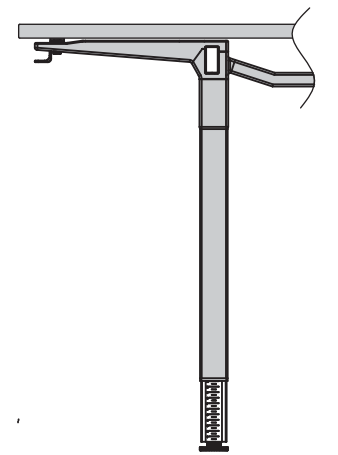
Type of legs



Angle Leg



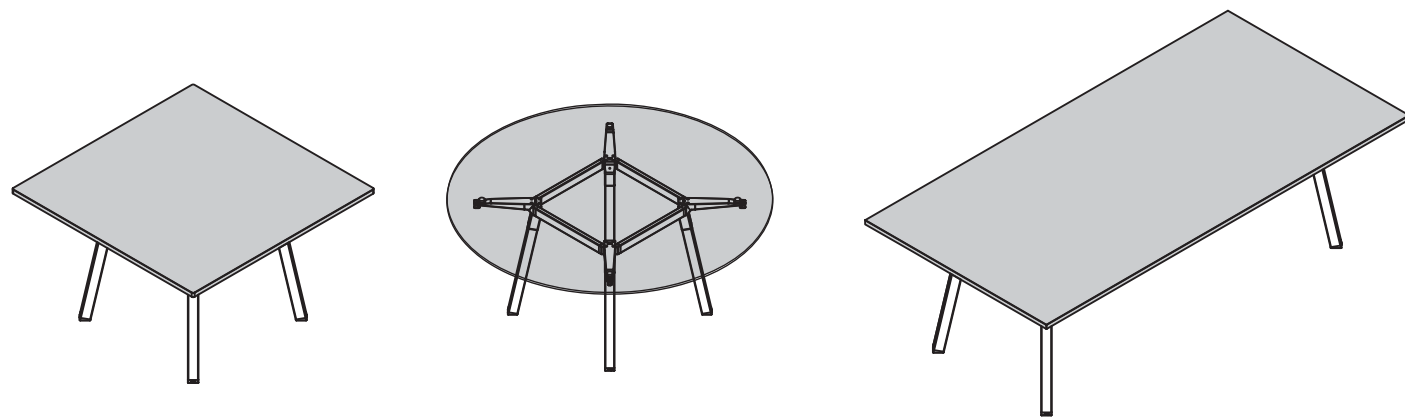
Straight Leg



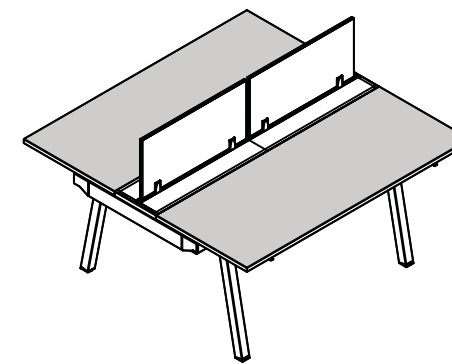
Adjustable Leg
(Height adjustment 180mm)

Discussion table

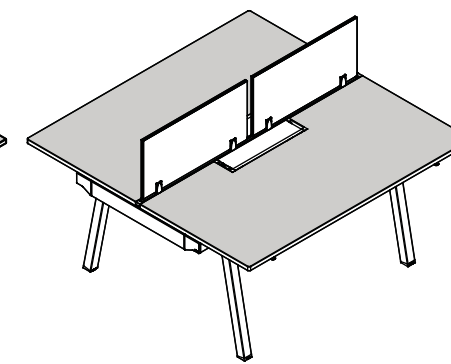
Worktop available in MFC, HPL, Veneer and Glass
Size: Max L1200 X 2400



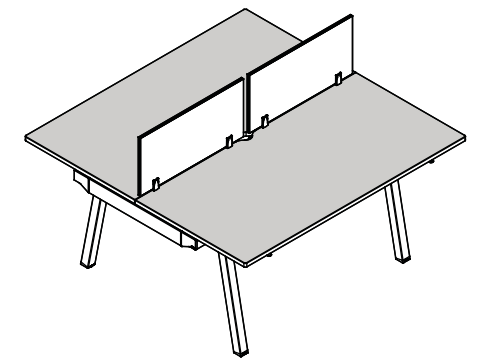
Cable Management



Full



Section



Simplex

Executive table

Worktop available in MFC, HPL, Veneer and Glass
Size: L2400 X W1200

