

Kleiber

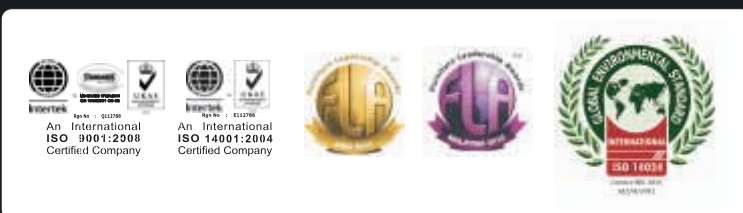
bristol®

Kleiber



All pictures are for illustration purposes. Colours, product dimension, specification as well as designs are subject to change without prior notice. Colours shown here may differ from the actual product.

Rev 2.0 June 2016



MALAYSIA
Bristol Technologies Sdn Bhd
Lot 5178 Balakong Jaya Light Industri
43300 Seri Kembangan, Selangor, Malaysia.
Tel: +603 8962 2182
Fax: +603 8962 6322
Email : export@bristol.com.my
Web: www.bristol.com.my
www.facebook.com/bristolfurniture

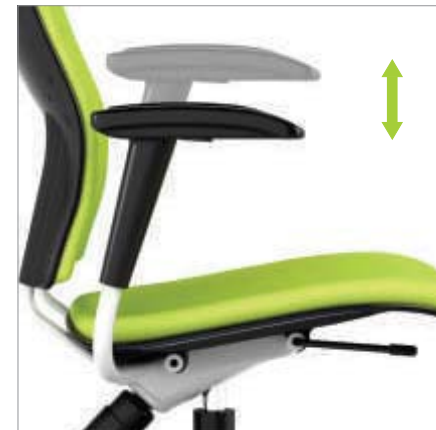
bristol®

Kleiber. form the curve.

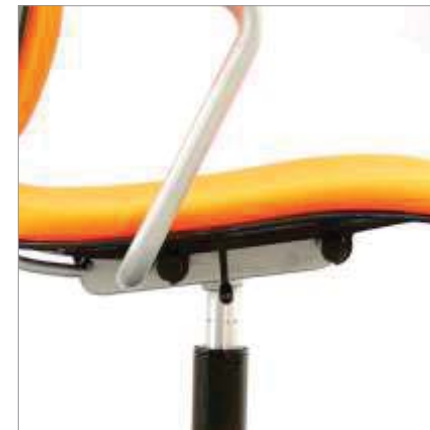
Kleiber's organic curve are extremely comfortable and supports your back ergonomically. The lightweight frame itself forms a perfect solution for today working environment where mobility is crucial.



Kleiber Task



The adjustable armrests allow you to rest your arms in the position which suits you the best and promotes better sitting position.



User's weight can easily be supported with the functional cantilever seat support plate.

A touch of minimalism.

The benefit of Kleiber's versatility come to the idea when rooms are to be used for various purposes or space limitations apply. It is most suitable for seminar, training rooms and meeting events.

On top of that, it is stackable and as an optional add-on, Kleiber provides a writing tablet which can be easily flip-store.



Constructed of heavy duty steel tube, this purpose designed trolley for the Kleiber range of chairs makes storage easy.

Will allow 8 Kleiber chairs to stack and can be rolled away for storage.



A book tray allows easy storage of books underneath the chair.

Waiting and Reception.

Waiting is something that will not vanish from our time schedule. By choosing the right furniture can determine whether waiting is considered as a pleasant break or an imposition. Kleiber offers a simple design model for transit, foyer and lounge areas.

Kleiber *Flex*

Kleiber Flex is extremely comfortable and supports your back ergonomically. With its add-on writing tablet, folding and nesting capability, Kleiber Flex is ideal to be used for various purposes and it is especially perfect in coping with space constraints issue. It is most suitable for seminar, training rooms and meeting events.



Destination	Time	Status
4148 Phuket	10:50	Final Call
SA 283 Johannesburg	11:30	Go To Gate
99 97 Singapore	12:30	Check-in
8118 Denpasar	13:20	Check-in
12 Jakarta	14:05	Check-in
18 Singapore	15:25	Check-in
30 128 Singapore	15:25	Check-in
124 Kuala Lumpur	16:30	Check-in
102 Bangkok	16:50	Check-in



Front studs (optional) promote better stationary position of the chair. Tilt the chair backwards on its castors in order to move the chair freely.

Kleiber *Flex*



Kleiber Flex without tablet
in nested position



Kleiber chair is essential for educational / training session.

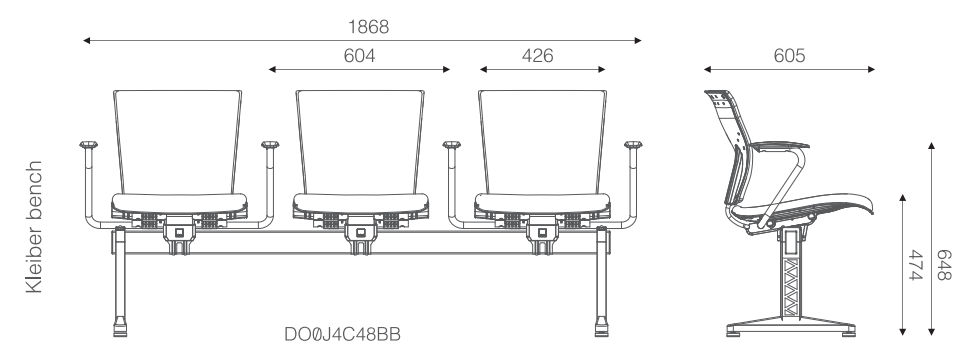
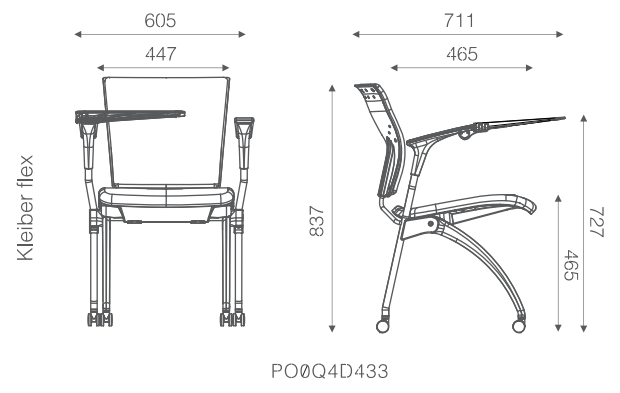
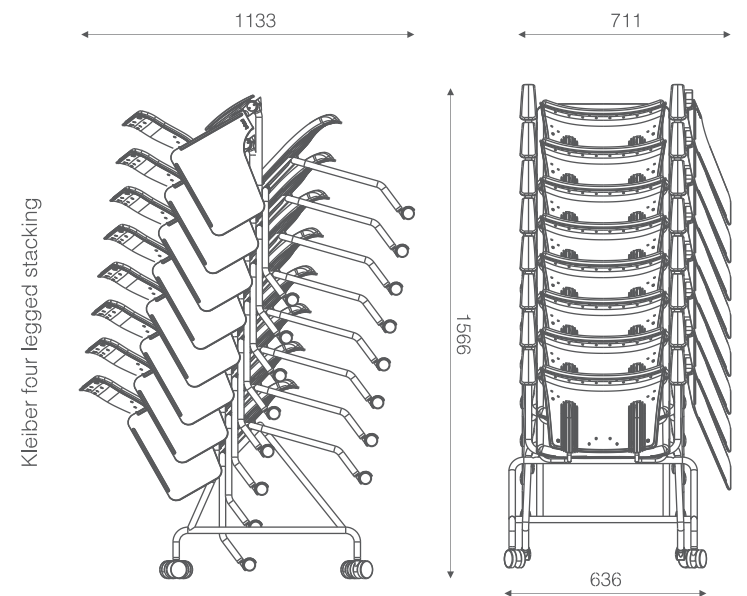
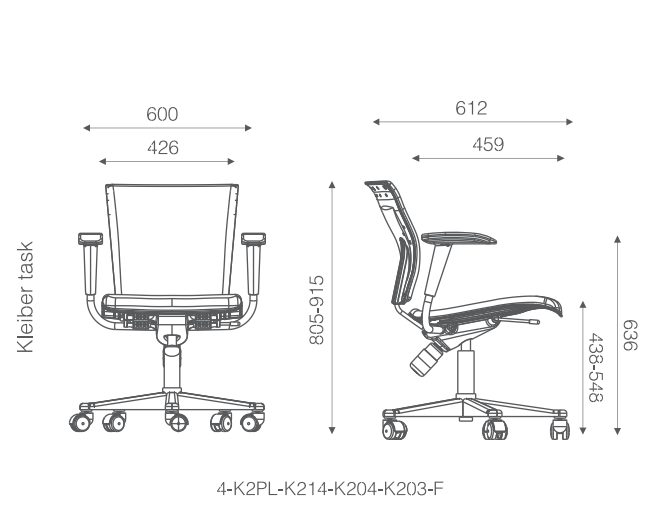
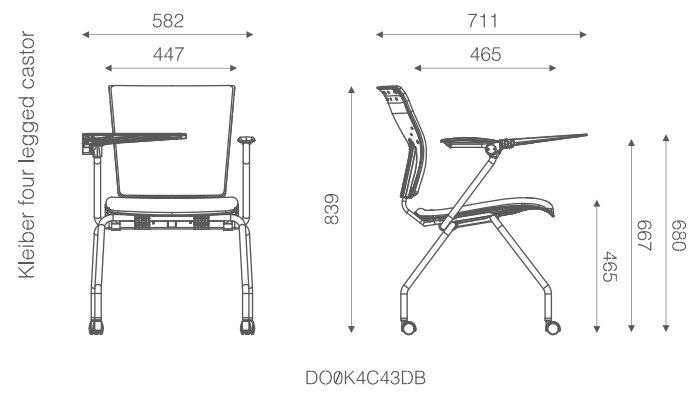
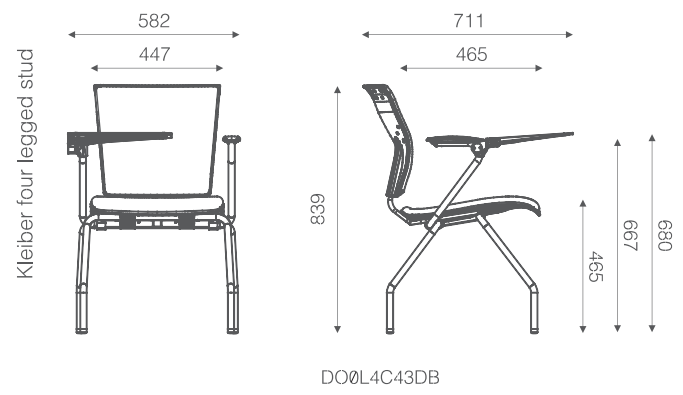
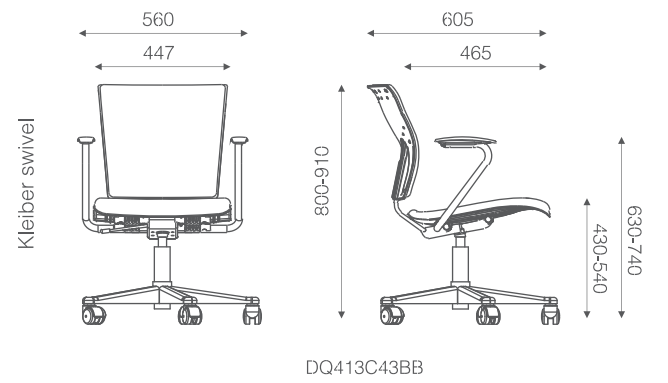
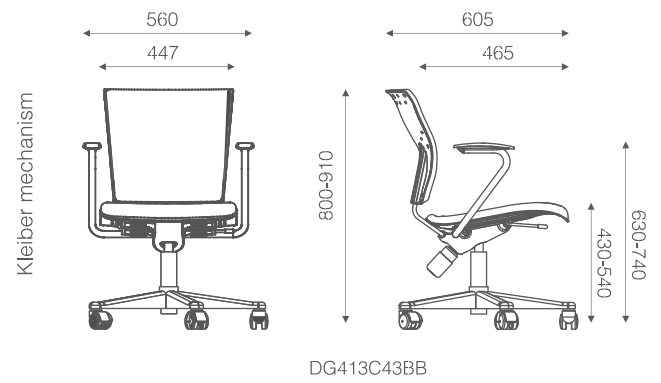


Kleiber Flex with tablet
in nested position

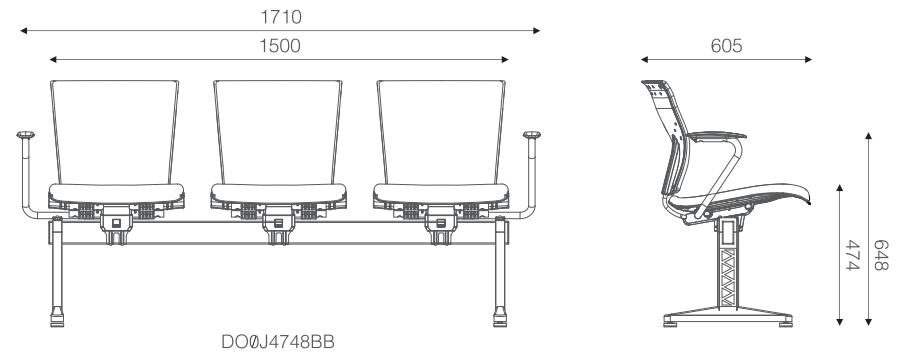


Kleiber chair is a perfect solution for today's working environment
where mobility is crucial.

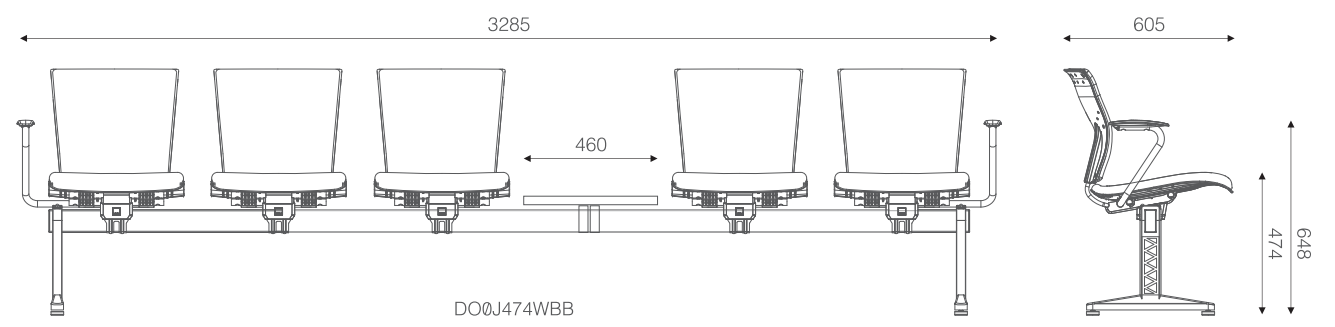
Kleiber
Statement of line.



- Full arms length
- 2 Seater = 1264mm
 - 3 Seater = 1868mm
 - 4 Seater = 2472mm
 - 5 Seater = 3076mm
 - 6 Seater = 3680mm



- Side arms only length
- 2 Seater = 1185mm
 - 3 Seater = 1710mm
 - 4 Seater = 2235mm
 - 5 Seater = 2760mm
 - 6 Seater = 3285mm



Back and Seat

Upholstered with a slim cushion which can be easily removed. The cushions type provide the most comfort for long seating time in areas such as office, conference and meeting places.

Frame

Five-star base in nylon fibreglass. Mechanism cover in powder coated diecast aluminium. Bench base in powder coated steel beam and diecast aluminium leg.

Writing tablet

The optional writing tablet in high-density, polypropylene is foldable. Stackability are not affected by the addition of writing tablets.

Finishes

Standard metal finishes in epoxy powder coated. Chrome finishes is available upon request with additional charge.

Standard

Kleiber meets or exceeds ANSI/BIFMA X5.1
Chrome finishes does not comply to environmental choice standards.

All pieces subject to technical change without notice.