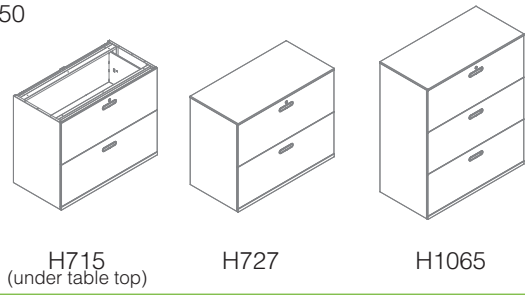
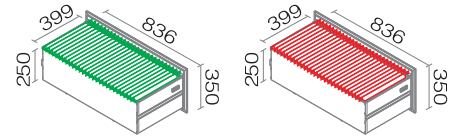


Lateral File

W900 x D450

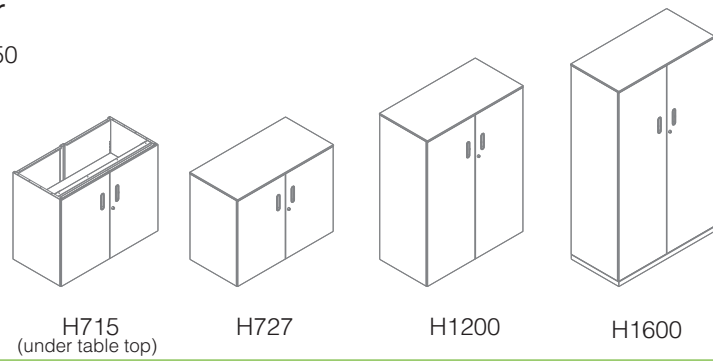


Inner dimensions

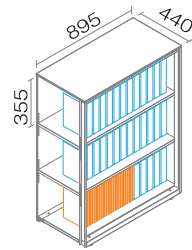


Swing Door

W900 x D450

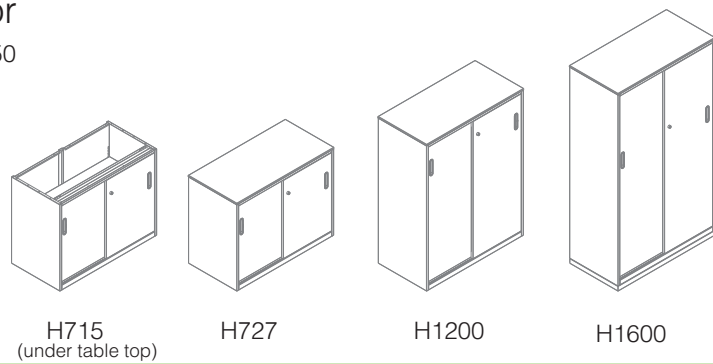


Inner dimensions

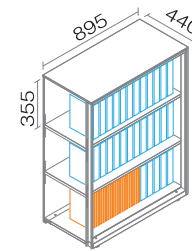


Sliding Door

W900 x D450

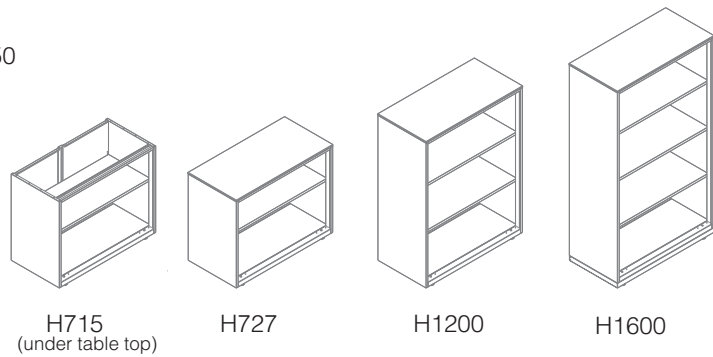


Inner dimensions

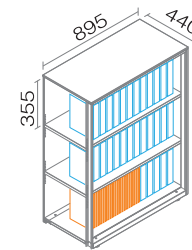


Open Shelf

W900 x D450



Inner dimensions



Dimensions in mm

File/Folder



A4 hanging folder
340mm x 240mm



Letter hanging folder
324mm x 238mm



Arch file
350mm x 285mm



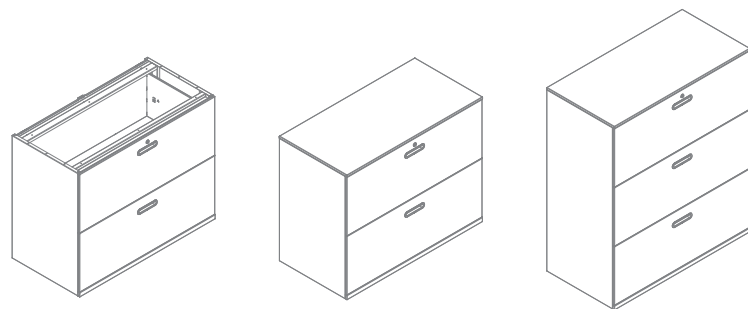
A4 file
320mm x 275mm

Keep



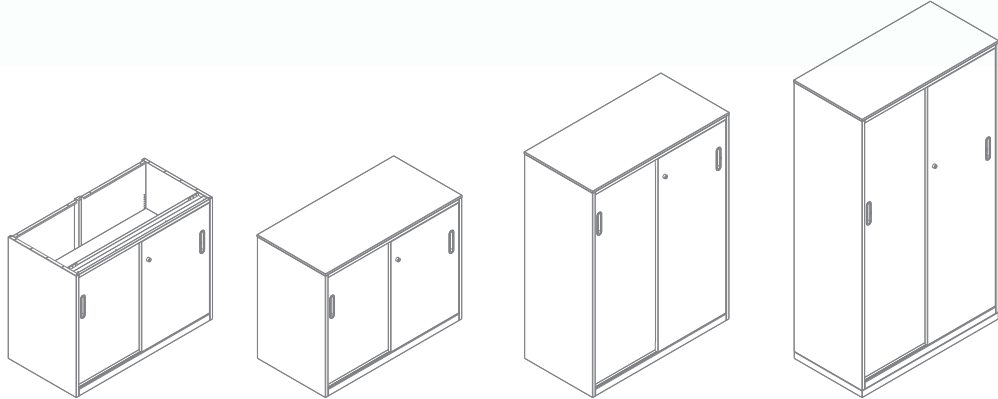
Lateral File

High quality rollers and rail allows easy opening of storage drawers. Available in 2 or 3 drawers height and top can be changed to HPL or metal. 715mm height allows integration beneath the worktop.



Sliding Door

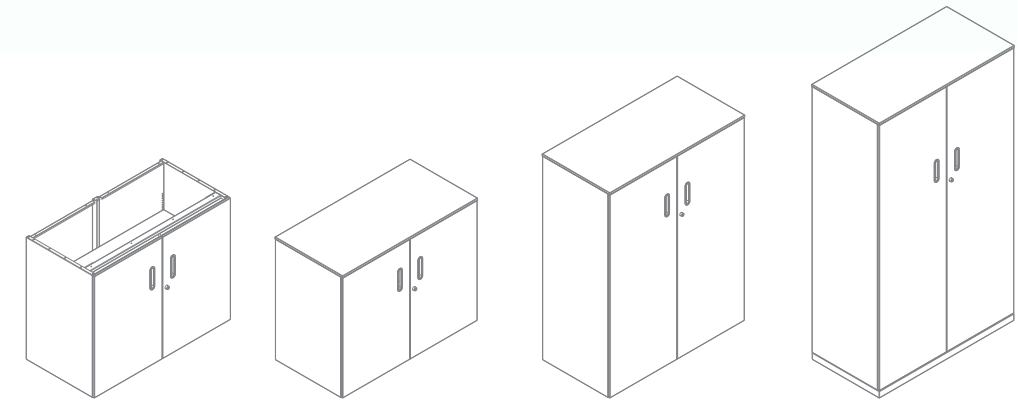
Ideal for tight spaces when swing doors are inconvenient. It is available with one through three shelves. Shelves can be adjusted in 12.5mm increments to accommodate large or small items. Top can be changed to HPL or metal. 715mm height allows integration beneath the worktop.





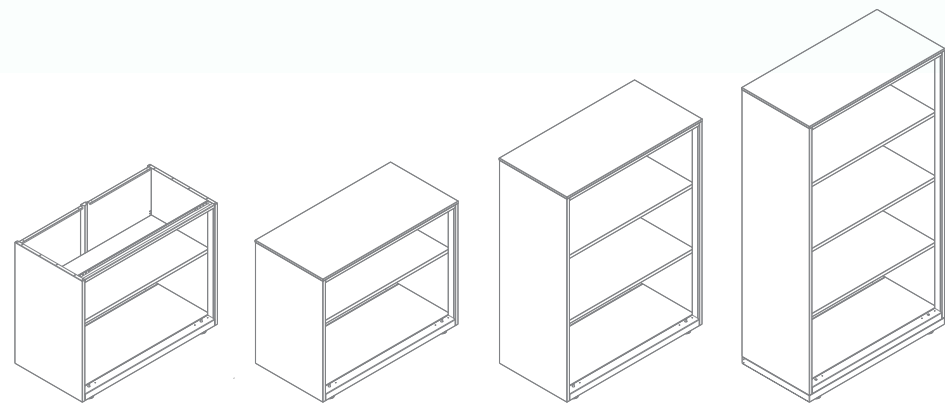
Swing Door

It is available with one through three shelves. Shelves can be adjusted in 12.5mm increments to accommodate large or small items. Doors come with soft-close hinges. Top can be changed to HPL or metal. 715mm height allows integration beneath the worktop.



Open Shelf

It is available with one through three shelves. Shelves can be adjusted in 12.5mm increments to accommodate large or small items. Top can be changed to HPL or metal. 715mm height allows integration beneath the worktop.





High capacity filing storage.



Clean and smooth handle profile.



Corner detail of wood top panel, carcass and metal front.



Height adjustable leveling glides.



Optional fabric upholstered back panel.



Cylinder lock with key in casing.

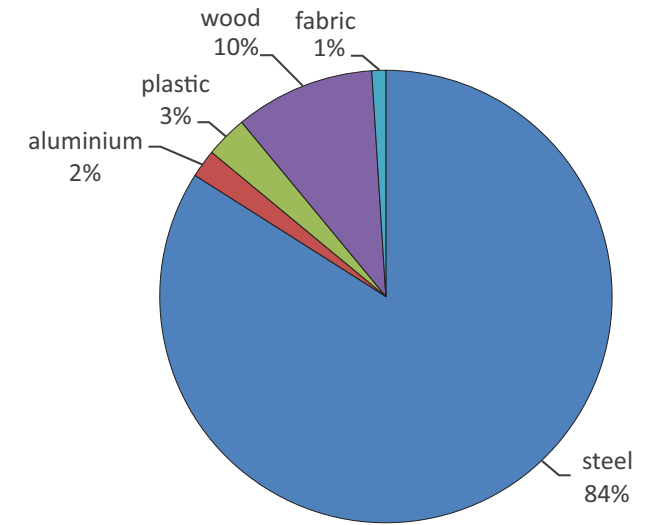


Soft-close hinge for slow closing of metal front door.

MATERIALS

Keep's components are constructed from steel, aluminium, wood, plastic and other materials.

- All diecast aluminium components are made from 100 percent recycled material and are 100 percent recyclable.
- Steel is 100 percent recyclable. Steel does not lose any of its inherent physical properties during the recycling process, and has drastically reduced energy and material requirements.
- Most metal have a powder-coated paint finish that emits negligible volatile organic compounds (VOCs).
- Wood is a renewable, natural raw material. Wood products cannot be melted down but can be used thermally to generate energy. The emission of formaldehyde has always been a concern to chipboard users. Supplied chipboards are produced to E1 standards in accordance with the highest British Standards stipulations.
- Packaging materials consist of corrugated cardboard and polyethylene stretch wrap. These materials are part of a closed-loop recycling system, meaning they can be recycled repeatedly. In terms of huge quantity, the usage of packaging material is reduced due to palletizing.



Wood is optional with woodtop configuration. Fabric is optional with backpanel upholstery.

SUPPLIER SUPPORT

We are committed to working closely with our suppliers to reduce our collective impact on the environment. Together we try to minimize our operations' environmental impacts and also in decreasing our facilities' negative environmental effects, as well.