



MALAYSIA
Bristol Technologies Sdn Bhd
Lot 5178 Balakong Jaya Light Industri,
43300 Seri Kembangan, Selangor, Malaysia.
Tel: +603 8962 3233
Fax: +603 8962 6322
Email: export@bristol.com.my
Web: www.bristol.com.my
www.facebook.com/bristolfurniture



Simplicity at it's finest. When the working environment becomes more complex, the need for simplicity arises. Kanye represents the modern form of aesthetics which reduces complexity and radiates clarity, thus becomes a matter of both work ergonomics and relief of mental strain.

Yet, Kanye is more than an impressive table with finely honed design that projects high quality and prestige.



ysyong
Design Team
Abbott Design Studio



jong pai suang



mahdieh



Kanye table

Bold and autocratic.





Desk Panel is a small, compact and user-friendly panel that allows user to adjust the height of the table with just a touch of a finger. It is designed to embed seamlessly onto the surface of the table and easily within the reach of the user.



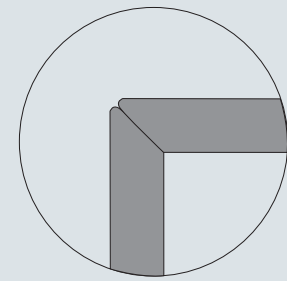
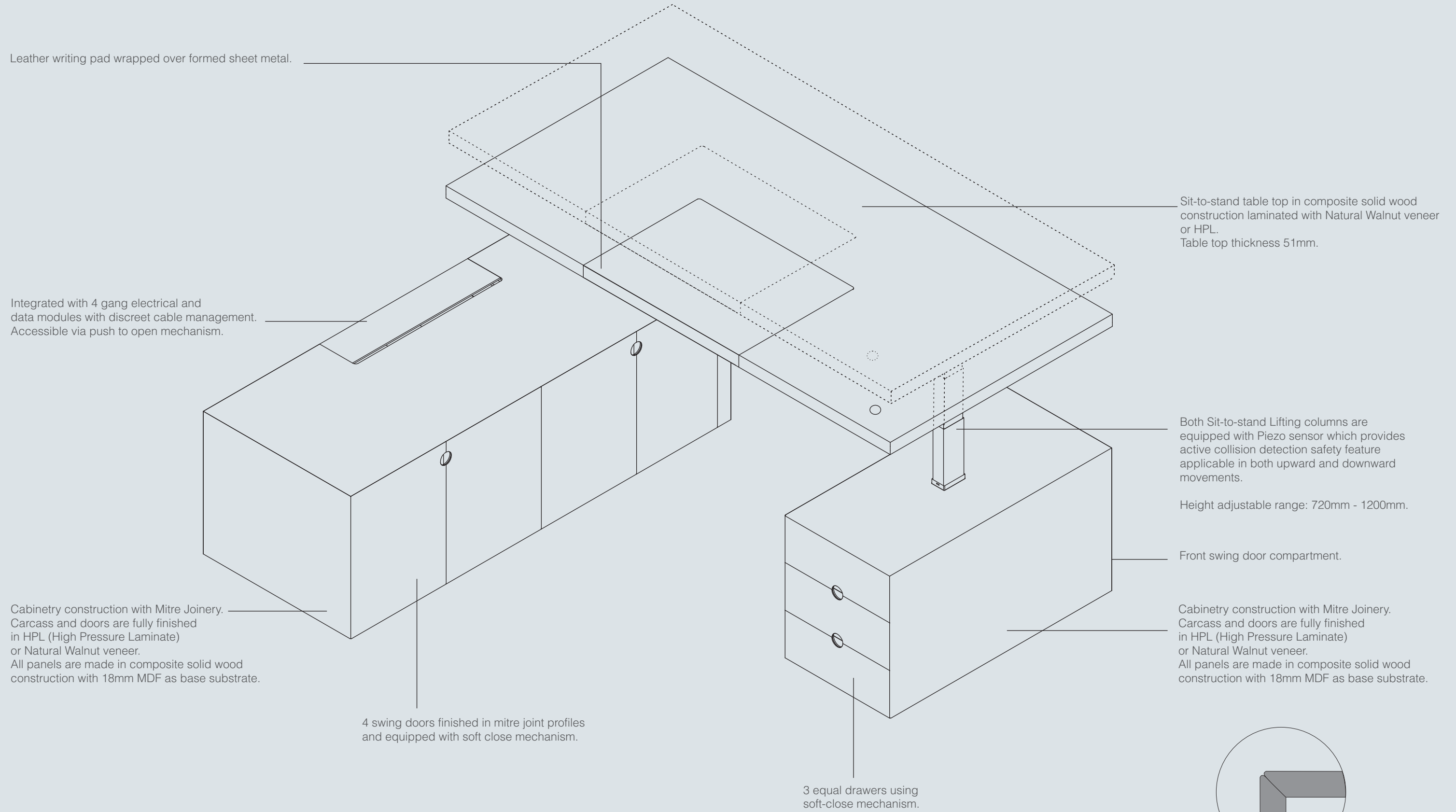
SIT-to-STAND

Study shows that sitting for extended periods of time can be bad for personal health. Combating sitting disease with added gym-time may not work: most people don't have time for MORE exercise, and more exercise time may not even reverse sitting disease.

The key idea when developing sit-to-stand is to make a table system that facilitated the user's work as much as possible but at the same time promote better blood circulation throughout the body by standing.

Standing all day may not be healthy or practical—people naturally want to sit at times to rest or when intensely concentrating. Therefore the Kanye new sit-to-stand system will allow user to adjust the height of the table when required.

Kanye Sit To Stand



mitre wood joining





Kanye Standard

Integrated with 3 gang electrical and data modules with discreet cable management. Accessible via push to open mechanism.

Integrated with 2 to 8 gang electrical and data modules with discreet cable management. Accessible via push to open mechanism.

Cabinetry construction with Mitre Joinery. Carcass and doors are fully finished in HPL (High Pressure Laminate) or Natural Walnut veneer. All panels are made in composite solid wood construction with 18mm MDF as base substrate.

4 swing doors finished in mitre joint profiles and equipped with soft close mechanism.

3 equal drawers using soft-close mechanism.

Standard table top overall thickness of 46mm with honeycomb construction and integrated with metal components for base structure and modesty mounting, this configuration is also available in composite solid wood construction.

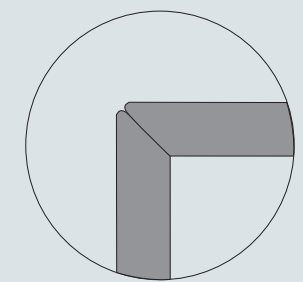
Top surfaces optionally in HPL and Natural Walnut veneer.

Leather writing pad wrapped over formed sheet metal.

Metal column connecting the table top with credenza is wrapped with stainless steel sheet.

Front swing door compartment.

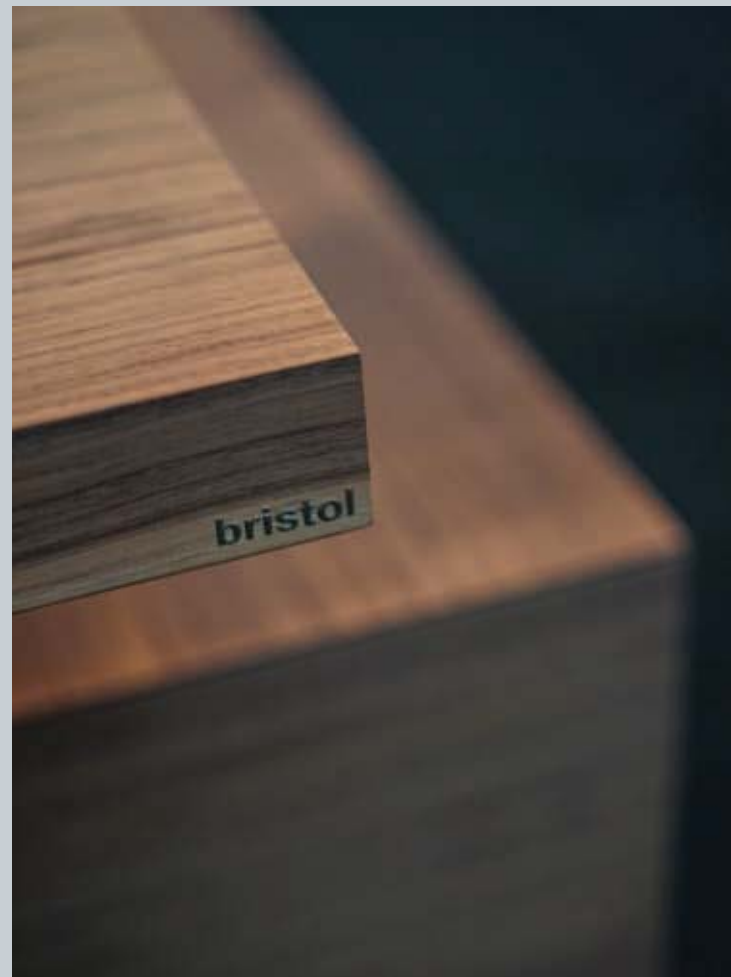
Cabinetry construction with Mitre Joinery. Carcass and doors are fully finished in HPL (High Pressure Laminate) or Natural Walnut veneer. All panels are made in composite solid wood construction with 18mm MDF as base substrate.



mitre wood joining

“In today’s design, people look forward to simple, minimalistic and great details. A good product must be made with the minimum amount of components and be finished off with very fine, meticulous details.”

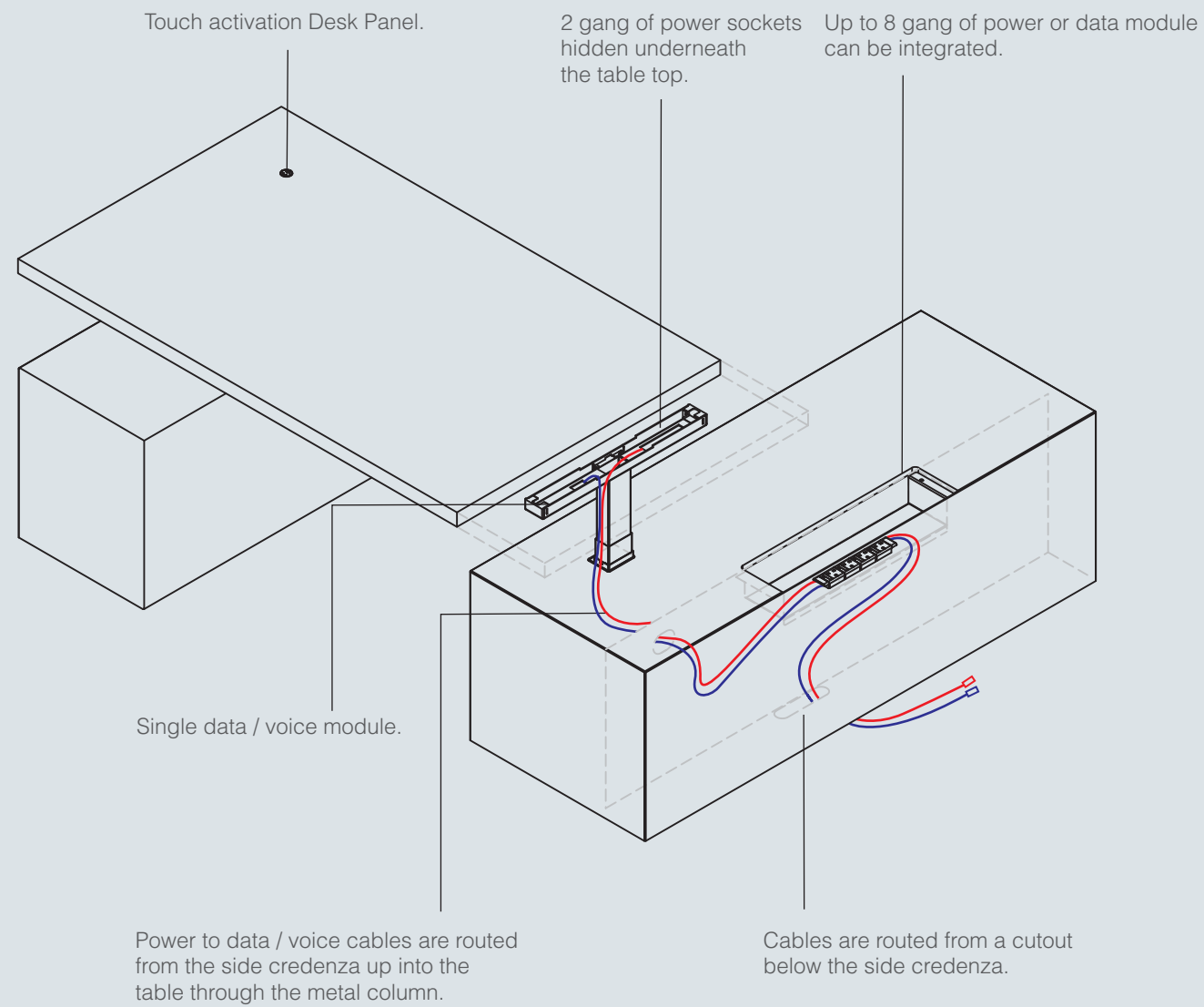
Yong Yook Seng, MD, Bristol Group of Companies.



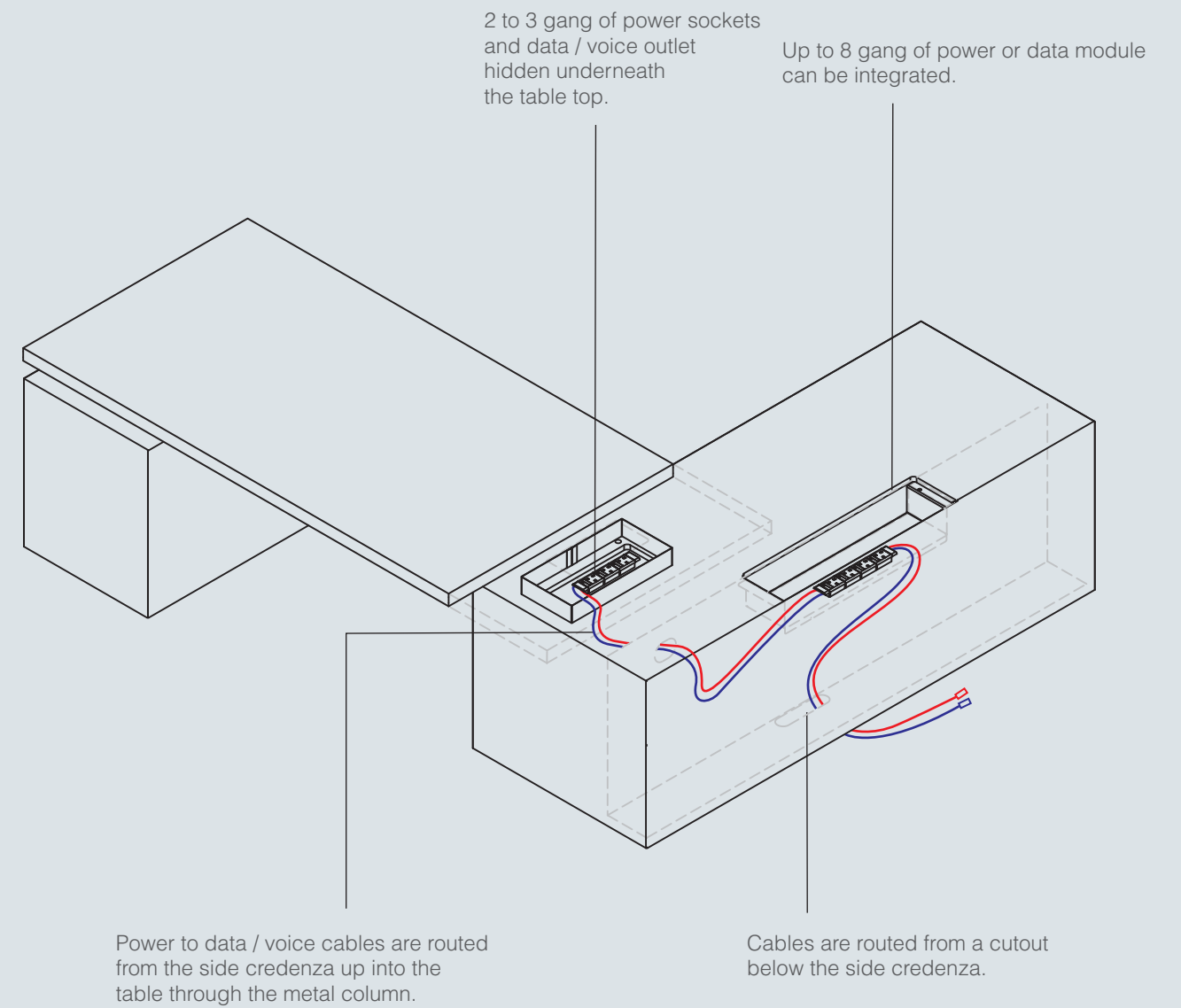


Kanye

Wire Management



Sit To Stand



Standard

Kanye

Statement of line



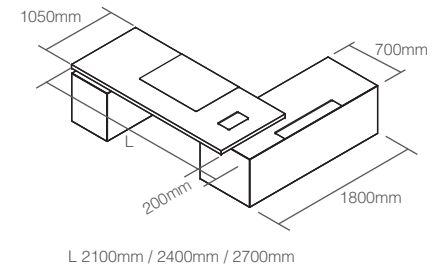
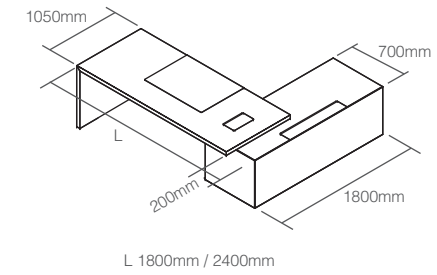
Top: Handwrapped leather pad to withstand scratches and rubbing with bended front edge to keep the pad in place.
Bottom: A gentle touch is all it takes to open the flap that is the access point to both electricity and data outlet.

Desk

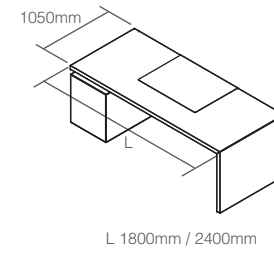
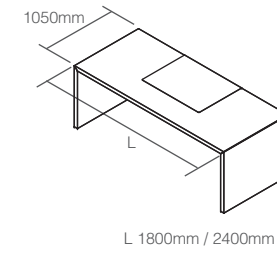
vertical leg

pedestal

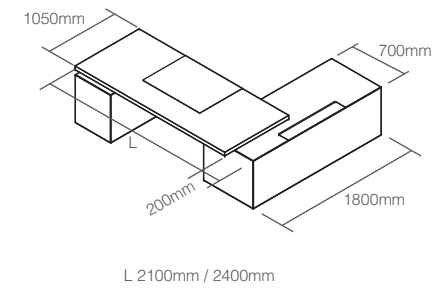
With side cabinet



Without side cabinet



Height adjustable



All pictures are for illustration purposes. Colours, product dimension, specification as well as designs are subject to change without prior notice. Colours shown here may differ from the actual product.