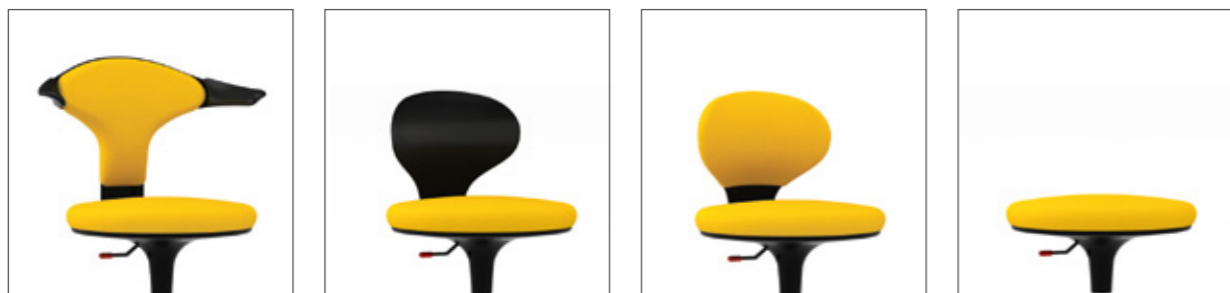
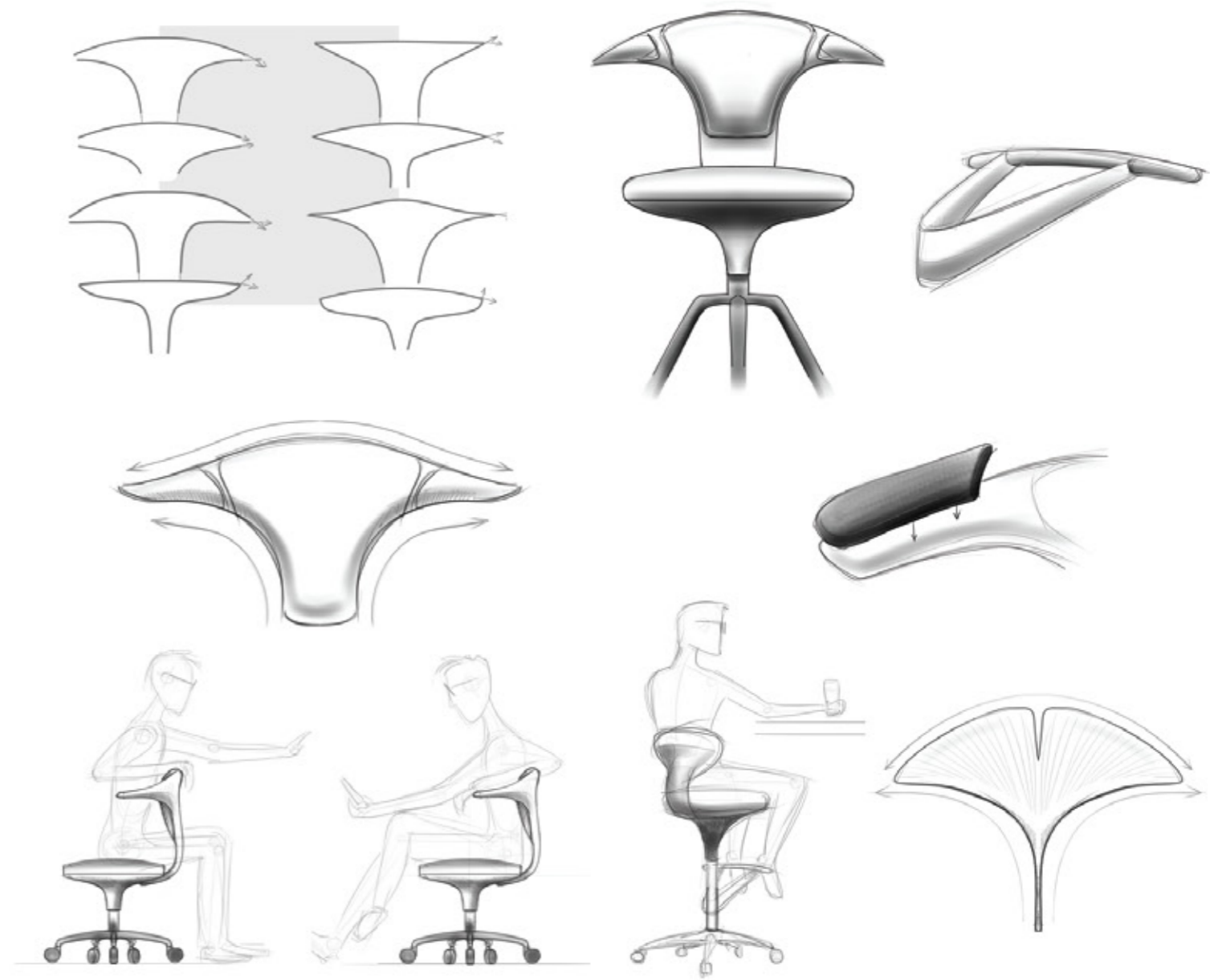


Ginko.

The Ginko chair is a superb way to introduce stylish functionality and ergonomic comfort into interior spaces. As its name suggests, Ginko is inspired by the Ginkgo Biloba leaf and expresses a lightweight and flexible form that you can use in casual environments like workstation offices, meetings, and collaborative spaces as well as lecture halls, home offices, lobbies, and bars. The design is versatile and can adapt to both formal and casual spaces.



Large

Medium

Medium (Padded)

Small



Ginko Base

Ginko Talk Base

Ginko High Stool

Ginko Bar Stool



Ginko.

The Ginko chair is available in 16 varied configurations, with a stool and 3 backrest options, one which has padded armrests. Base options include the nylon fiberglass Ginko Base, the die-cast aluminium Talk base, and a 4 legged tubular steel base. The high stool uses the Ginko base with studs.



Ginko Base

Ginko's lightweight and flexible design offers mobility and versatility to suit modern office environments. It can be fitted to a 5 prong nylon plastic base with castors and available in grey version too.





Ginko Talk Base

The Ginko chair is a highly versatile and customizable chair. With the option of die cast aluminium base, it will never look out of place, whether in office or at home. The aluminium base comes in our standard colour powder coated form to match the optional grey plastic backrest and seat.

Ginko High Stool

As the chair is designed for a wide range of applications, there are various Ginko models available to meet different specifications. You can opt for just the stool or the backrest version, which comes with or without backpadding and armrests. The bases include a high stool variant with a tubular foot ring that adjusts up to 250mm height.



Ginko High Stool

The high stool makes your sitting a dynamic one; allowing freedom to move and shift between sitting, standing or perching, without having to leave the space. A gaslift lever at the bottom of the seat allows you to adjust the chair's height according to your preference. The medium backrest allows more flexibility to shift between sitting position and by moving more you will feel more energized.



Ginko Bar Stool

The bar stool version features a fixed round tubular footrest with a 85mm height adjustable seat. It's ideal for places like the bar counter or any high tables where you do not require too much height adjustment. The four legged configuration also allows easy access when cleaning the floor.



Models and Specifications

BACKREST

Nylon fiberglass backrest in black / grey with self-skin PU armpad (non-upholstered).

UPHOLSTERY

Available in fabrics and PVC only.

SEAT

Nylon fiberglass seat body in black / grey with PU injected MFC seat.

GINKO BASE

5 prong nylon plastic in black / grey.

TALK BASE

5 prong diecast aluminium in chrome / epoxy.

FOOTREST (HIGH STOOL & BAR STOOL)

Foot ring is available in epoxy.

STUDS

Available for High Stool and Bar Stool only.

CASTORS

Available for Ginko and Talk Base.

GASLIFT ADJUSTMENT

- Ginko & Talk Base - 85mm stroke
- High Stool - 250mm stroke
- Bar Stool - 85mm stroke

PLASTIC COLOURS



Black Light grey (minimum order quantity of 500 pcs)

Ginko Base



Ginko Talk Base



Ginko High Stool

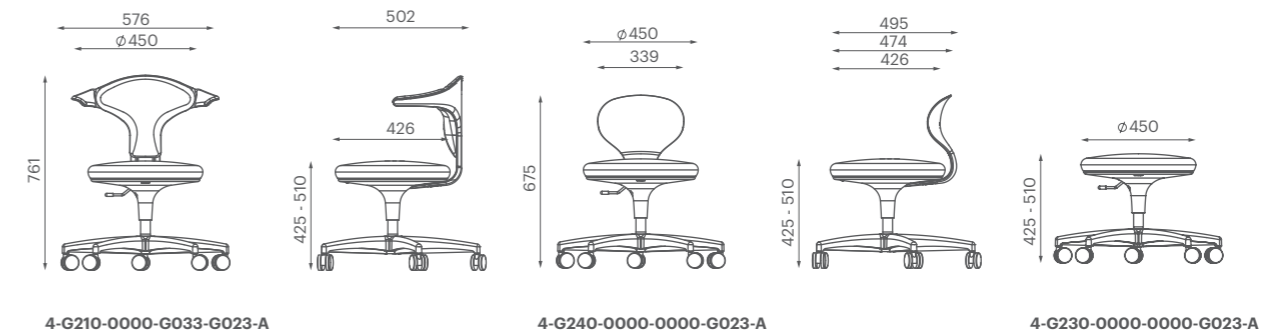


Ginko Bar Stool

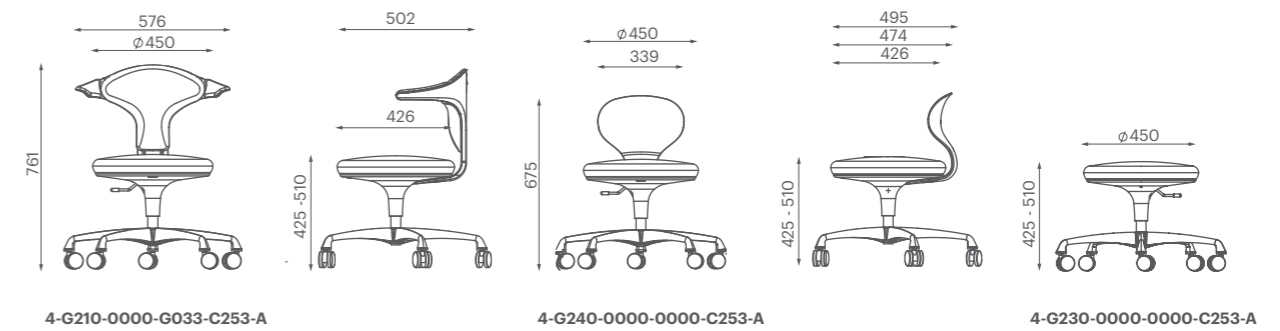


Statement of line

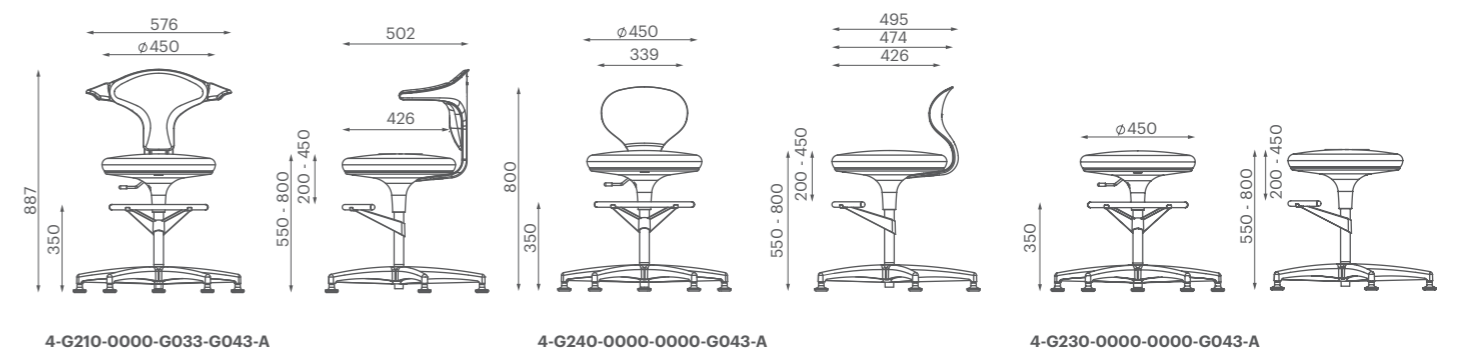
Ginko Base



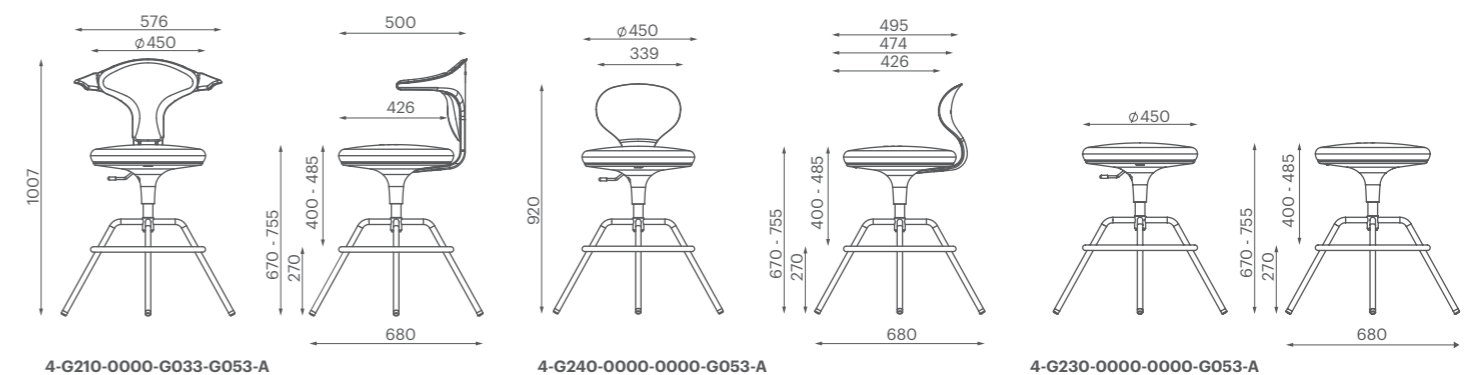
Ginko Talk Base



Ginko High Stool



Ginko Bar Stool



*All dimensions are in millimeters (mm)